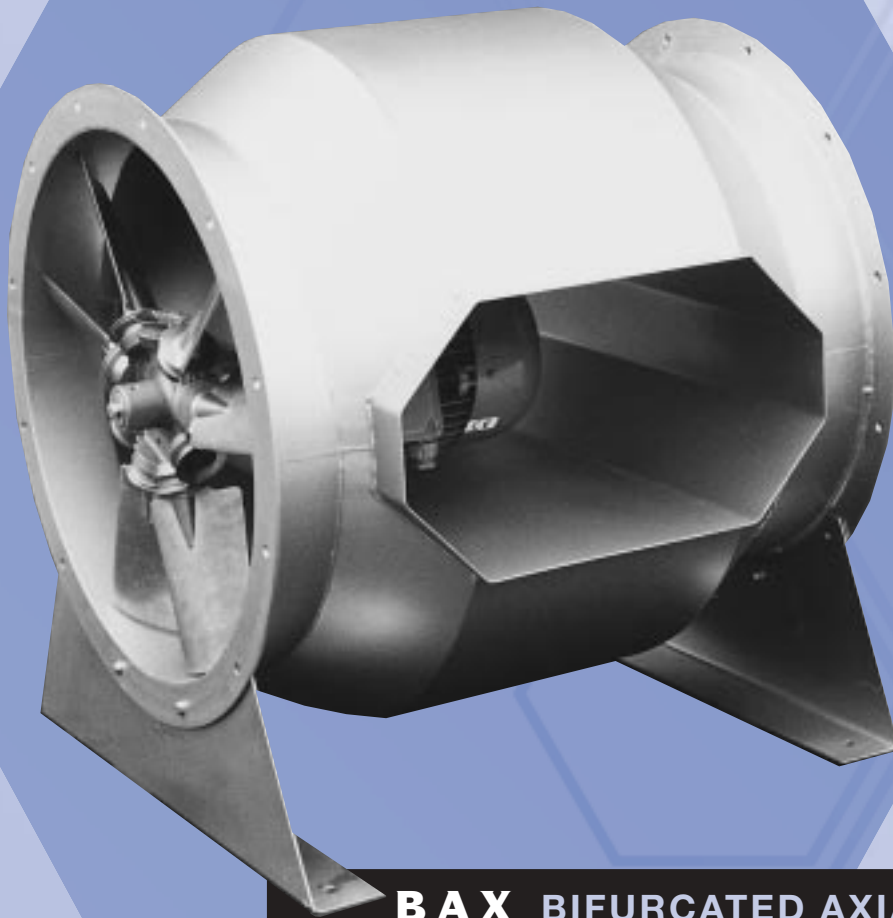




MOFA[®]



BAX BIFURCATED AXIAL FLOW FANS

Performance & Reliability in High Temperature & Contaminated Air Applications

The performance and reliability of Imofa's BAX bifurcated fan is well proven in continuous operation on high temperature and contaminated air applications. Good aerodynamic design and substantial construction ensure that air performance is maintained on the most demanding of applications.

Three distinct variations in material specifications for the BAX standard range provide the user with optimum costs for system operating temperatures up to 80°C, 180°C, and 250°C, the bifurcated casing design ensuring full protection of the motor from the contaminated or high temperature air stream. Modified

versions of the standard fan are available for higher temperatures and flameproof applications.

The BAX fan is part of the extensive range of axial flow and centrifugal fans developed and manufactured by Imofa in the UK, Ireland and Holland, and installed on major commercial projects and industrial processes worldwide. Imofa plays an important role in the internationally successful Honing Beheer Group which has continually strengthened its position in HVAC, air movement and heat transfer sectors since it first entered the European market in 1947.

FAN & MOTOR DATA

For Standard Range up to 80°C and Electrical Supply 400/3/50Hz

Fan Code	Curve Number	Speed r.p.m	Pitch Angle °	Motor Frame	Motor Rating kW	Sound Power Level dBW*
T 250B/6-6/3H	1	2780	45	71A2	0.37	95
T 280B/6-6/3H	2	2815	45	71B2	0.55	96
T 315B/6-6/3H	3	2825	45	80A2	0.75	100
T 355B/6-6/3H	4	2835	40	80B2	1.1	101
T 400B/5-5/4Z	5	2850	35	90S2	1.5	105
T 450B/5-5/4Z	6	2850	30	90L2	2.2	106
T 500B/5-5/4Z	7	2865	30	100L2	3.0	109
T 560B/3-9/4Z	8	2865	30	100L2	3.0	110
T 315B/6-6/3H	9	1385	40	71A4	0.25	80
T 355B/6-6/3H	10	1385	40	71A4	0.25	84
T 400B/5-5/4Z	11	1370	45	71B4	0.37	85
T 450B/5-5/4Z	12	1400	45	80A4	0.55	88
T 500B/5-5/4Z	13	1400	45	80B4	0.75	91
T 560B/5-5/4Z	14	1410	45	90S4	1.1	94
T 630B/5-5/4Z	15	1420	45	100LA4	2.2	97
T 710B/5-5/4Z	16	1435	45	100LB4	3.0	100
T 800B/5-5/5Z	17	1435	40	100LB4	3.0	102
T 900B/6-9/5Z	18	1440	40	132S4	5.5	105
T 1000B/6-9/5Z	19	1440	40	132M4	7.5	106
T 1120B/6-12/5Z	20	1440	37.5	160M4	11.0	108
T 1250B/8-16/5Z	21	1455	32.5	160L4	15.0	110
T 560B/5-5 /4Z	22	915	45	80A6	0.37	83
T 630B/6-9/4Z	23	915	45	80B6	0.55	87
T 710B/6-9/4Z	24	935	45	90S6	0.75	89
T 800B/5-5/5Z	25	935	45	90L6	1.1	92
T 900B/5-5/5Z	26	950	45	112M6	2.2	93
T 1000B/5-5/5Z	27	950	45	112M6	2.2	94
T 1120B/6-12/5Z	28	950	37.5	132S6	3.0	96
T 1250B/8-16/5Z	29	950	32.5	132MA6	4.0	98

Enquire for higher temperatures, alternative electrical supplies and speed control.

*Maximum sound power level for pitch angle. Full spectrum sound levels available on request.

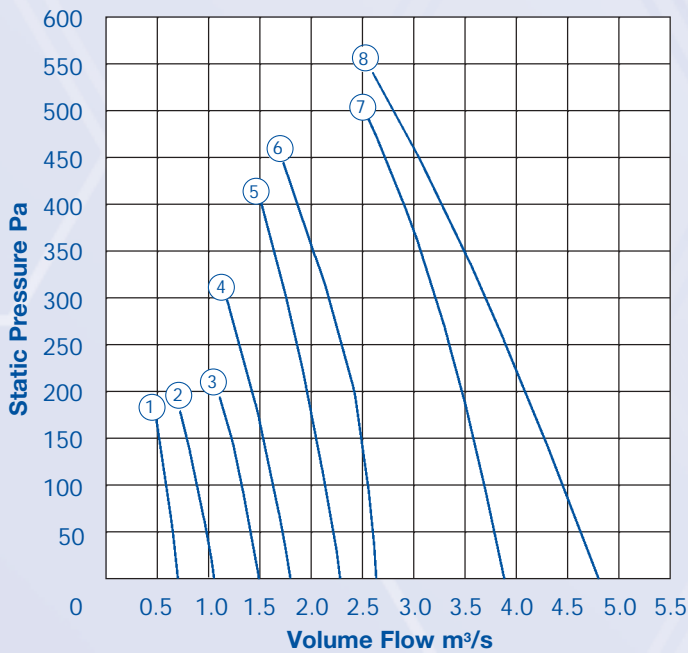
Preferred Range – Air Performance

Based on user input, a number of fans of particular diameter, speed and impeller pitch angle have been selected to form a 'preferred range' for easy selection. A wide range of alternative pitch angle

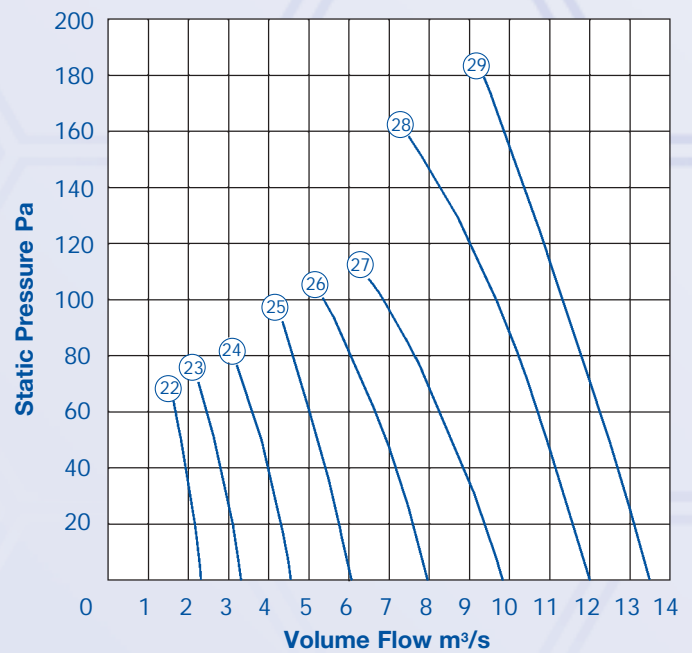
settings are available as standard for every fan diameter, and selections from the full range can be rapidly made from Imofa's product selection software.

50Hz

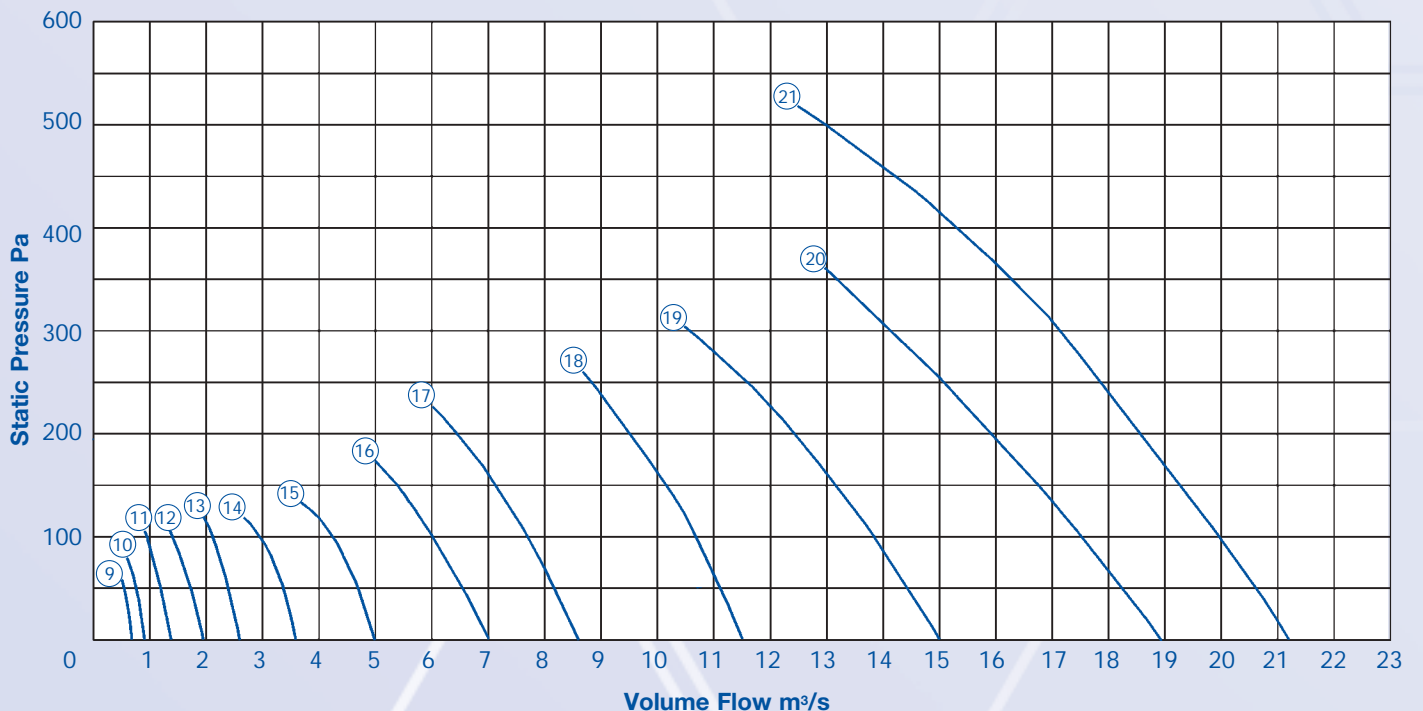
BAX 2 POLE SPEED



BAX 6 POLE SPEED



BAX 4 POLE SPEED



BAX BIFURCATED AXIAL FLOW FANS SPECIFICATION

Casing

Heavy gauge mild steel all-welded construction. The aerodynamically divided casing provides a motor compartment which efficiently isolates the motor from the high temperature or contaminated airstream, with minimal effect upon airflow through the fan.

Finish

Casing finishes, applied strictly in accordance with the temperature range specified, are Alkyd based paint for temperatures up to 80°C, and Ruskill aluminium paint for 80°C to 250°C. Alternatively all fans can be supplied with hot dipped galvanised or epoxy coat finishes.

Impellers

Alternatively manufactured in glass reinforced polypropylene or polyamide, aluminium, or steel, dependent on air temperature and fan speed, and fully balanced after final blade setting.

Motors

IP54, TEFC foot mounted motors are supplied as standard, with IP55 enclosure available on request. Heat dissipation is aided by cooling flingers fitted to the motor shafts on the mid

and high temperature range fans, and motor compartment heat insulation ensures complete protection of the motor on fans supplied for temperatures of 180°C-250°C.

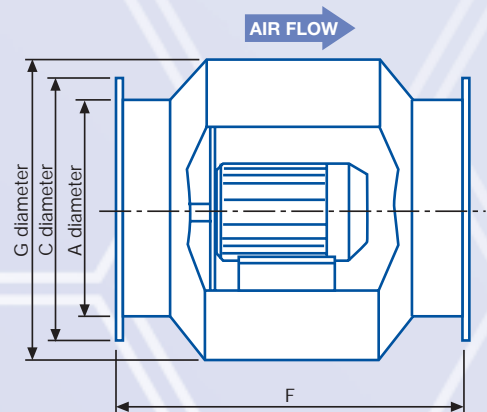
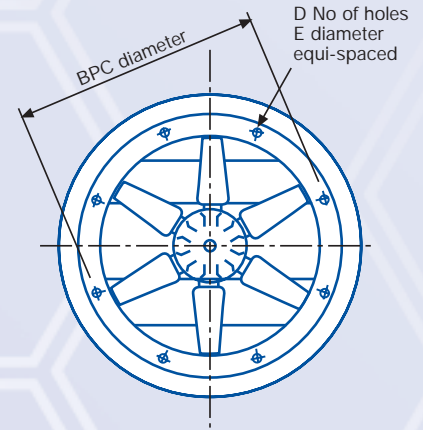
Ancillaries

A full range of ancillaries available for simple installation of the BAX bifurcated fan includes mounting feet, mounting plates, matching flanges, flexible connectors, anti-vibration mountings, flat guards, coned inlets, speed controllers and silencers.

Conformance standards

All Imofa fans, when installed in accordance with the manufacturers recommendations, conform to EU directives EMC 89/336//EEC, 73/23//EEC, and 89/392//EEC and to ISO and IEC harmonised dimension standards. All products are CE marked on despatch.

Information on 60Hz performance, stainless steel construction, higher temperature and flameproof options, and special finishes are available on request.



DIMENSIONS

Fan Size	A Dia	BPC Dia	C Dia	D No.	E Dia	F	G Dia	Weight* (Kg)
250	250	280	317	4	10	425	400	35
280	280	320	347	4	10	480	400	38
315	315	355	379	8	10	540	450	42
355	355	395	421	8	10	600	510	47
400	400	450	480	8	12	625	540	52
450	450	500	536	8	12	680	640	60
500	500	560	590	12	12	700	700	71
560	560	620	646	12	12	800	760	131
630	630	690	720	12	12	800	800	112
710	710	770	797	16	12	800	900	143
800	800	860	910	16	12	1000	1000	175
900	900	970	998	16	15	1200	1100	211
1000	1000	1070	1110	16	15	1200	1200	338
1120	1120	1190	1258	20	15	1300	1340	428
1250	1250	1320	1388	20	15	1500	1500	551

Dimensions and **approximate*** weights tabled are for catalogued 'preferred range'. Certified weights and dimension drawings are provided against specific orders. All dimensions are in mm.



Imofa UK Ltd. New Coach House, 21 Grange Way, Colchester, Essex, CO2 8HF
Tel: (44) 01206 505909. Fax: (44) 01206 794095.
email: sales@imofa.co.uk

Members of The Honing Beheer Group of Companies

Imofa Ireland
Tel: (353) 0503 41332
Fax: (353) 0503 41360
email: jerry@imofa.com

Imofa Holland
Tel: (031) 035 525 8873
Fax: (031) 035 526 2424
email: info@thermoair.com

Due to policy of continuous product research and development, we reserve the right to alter specifications and dimensions without prior notice. Certified drawings and data can be supplied against order.